

1953 Series Gear Driven Visicounter

Available in several geared ratios, the 1953 Series is especially well suited for linear measurement of feet, yards, 1/8 yards, or meters. Its double-ended shaft allows use of two measuring wheels – providing extra grip and stability of contact with measured material. It is commonly used in the textile, wire and cable, paper, rope, and sheet products industries.

The 1953 Series is designed and manufactured to provide years of trouble-free service in the most rigorous industrial applications. All models are right-hand drive, with types offered for addition in the clockwise, or counterclockwise direction. Opposite rotation subtracts.



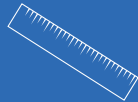
- Precision linear measurement of all types of moving materials
- Double stainless steel shafts accept dual measuring wheels
- Black on white, 0.345" (8.8 mm) high figures for easy viewing
- Heavy duty die-cast and steel components
- Corrosion and dust resistant – long life in demanding environments
- Models with 3:1, 1:1, or 0.375:1 revolution-to-count ratio
- Counts in yards, 1/8 yards, or feet using standard footage wheel
- Counts in meters, using 1/3 meter wheel
- Smooth action rotary knob reset



TIME



COUNT



MEASURE

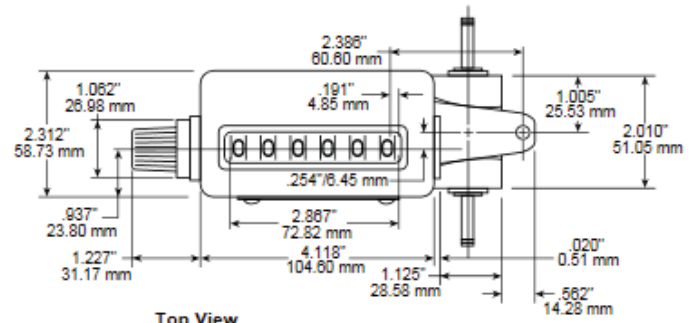
8:43

DISPLAY

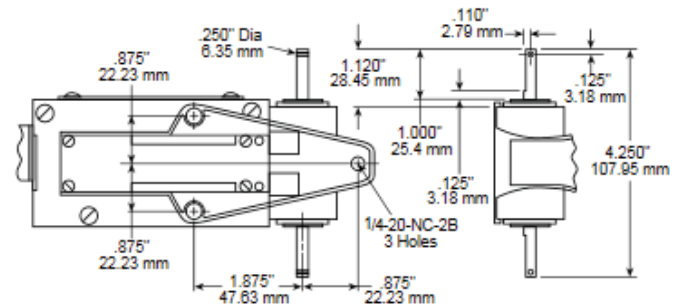
SPECIFICATIONS

DRIVE	Geared drive, adds one count for a specified number of drive shaft revolutions in specified rotation; will subtract for opposite rotation if reset knob is not obstructed
SPEED	1500 rpm or 5000 cpm, whichever is limiting, when adding
GEARING	Standard 3:1 (yards); 1:1 (feet); 0.375:1 (1/8 of yards); 3:1 gearing with 1/3 meter wheels for direct reading in meters
TORQUE	Maximum static 1.5 oz-in (1.06 N.cm) with 3:1 ratio
NUMBER OF FIGURES	6
SIZE OF FIGURES	0.345" high by 0.250" wide (8.76 by 6.35 mm)
COLOR OF FIGURES	White on black
RESET	Manual knob: Rotary
MOUNTING	Base
CONSTRUCTION	Case and Worm Base: Zamak Baseplate: Steel Wheel & Pinions: Acetal resin Right Angle Drive Shafts: Stainless steel Bearings: Porous bronze, oil impregnated Worm Gear: Brass Worm: Stainless steel
NET WEIGHT	3 lbs. (1.36 kg)

DIMENSIONS



Top View



Bottom View

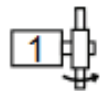
Drive Detail

ORDERING INFORMATION

Standard Models

Rotation

195316-051 Knob Reset, 1:1 Ratio
 195316-052 Knob Reset, 3:1 Ratio
 195316-053 Knob Reset, 0.375:1 Ratio



195326-045 Knob Reset, 1:1 Ratio
 195326-046 Knob Reset, 3:1 Ratio

