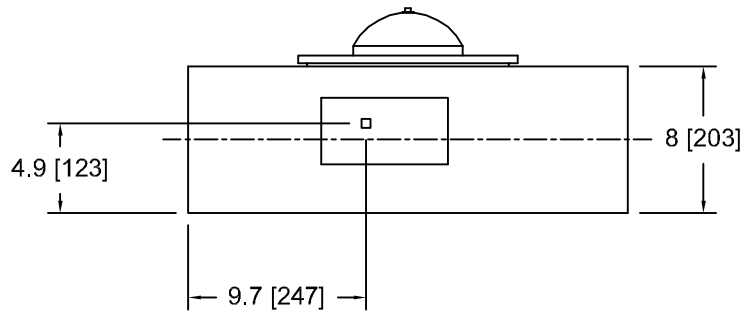
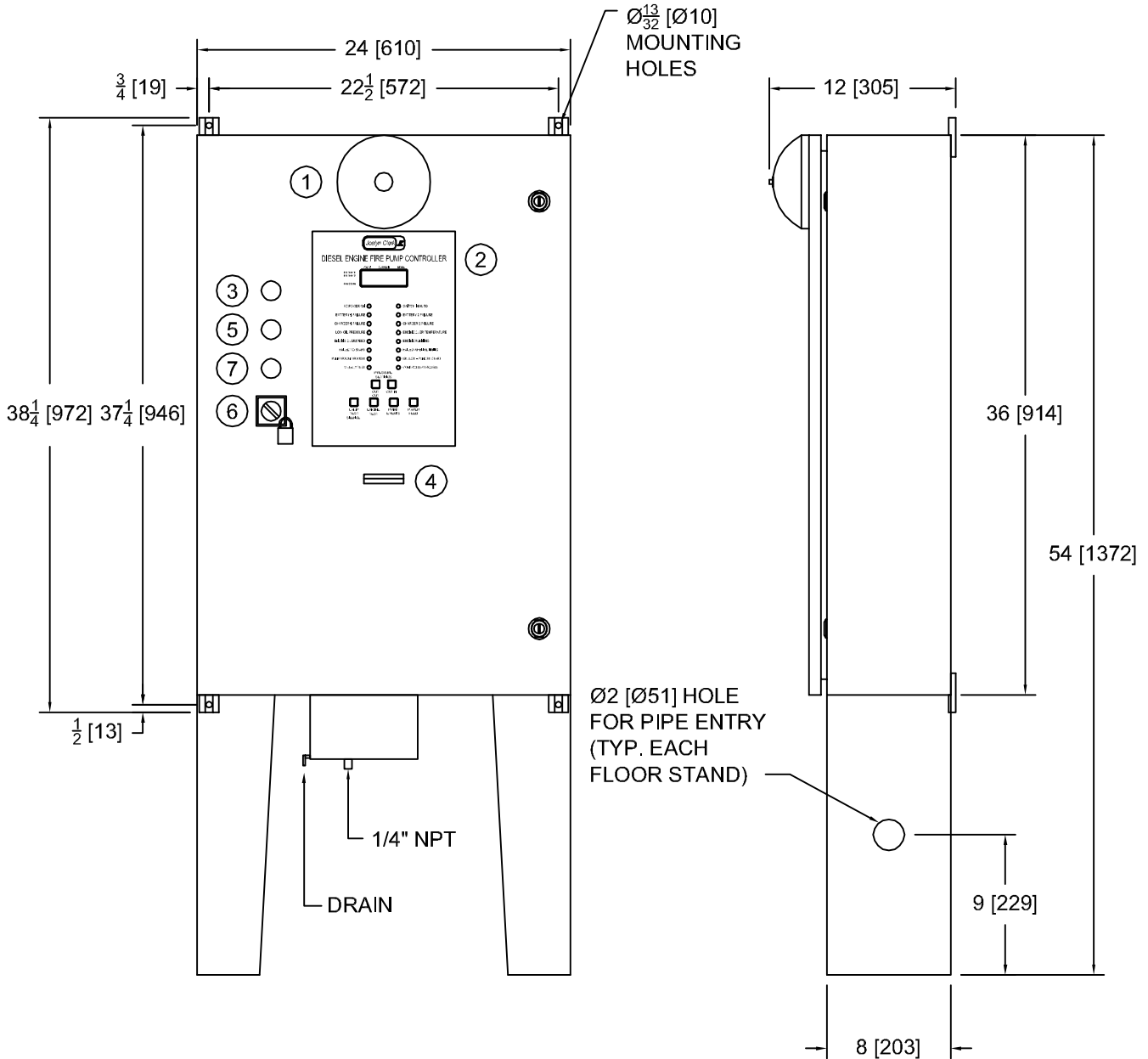


CABINET OUTLINE



ALL DIMENSIONS ARE SHOWN IN INCHES [mm]

- ⑦ BATTERY #2 MANUAL CRANK BUTTON
- ⑥ MAIN CONTROL SWITCH
- ⑤ BATTERY #1 MANUAL CRANK BUTTON
- ④ PRINTER/RECORDER
- ③ STOP PUSH BUTTON
- ② CONTROL MODULE & ANNUNCIATOR
- ① ALARM BELL

LEGEND

A 10-10710-33

REVISIONS
 NEW RELEASE
 PER ECN E00555

DES. LVL. B	REV.	FILE: 10710-33-B	SHEET 1 OF 1
A 10-10710-33			
JOSLYN CLARK CONTROLS, LLC Elizabethvill, NC 28337			
PLOT FACTOR: 1/10			
MADE BY L&T	APP'D DJD		
DATE 10-22-09			
TITLE BUL. 10710 DIESEL ENGINE FIRE PUMP CONTROLLERS OUTLINE DIAGRAM			