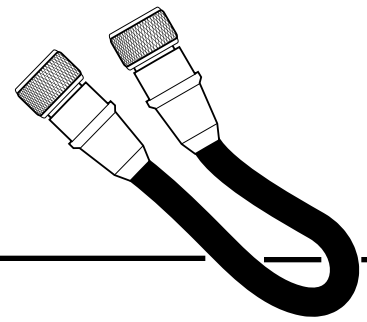


Double Ended

Cable Cordsets

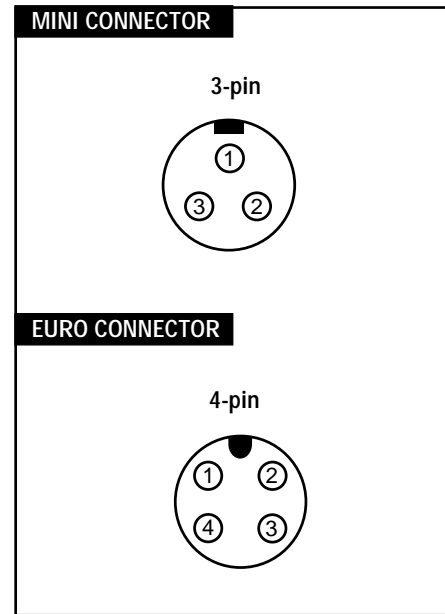


Cordsets

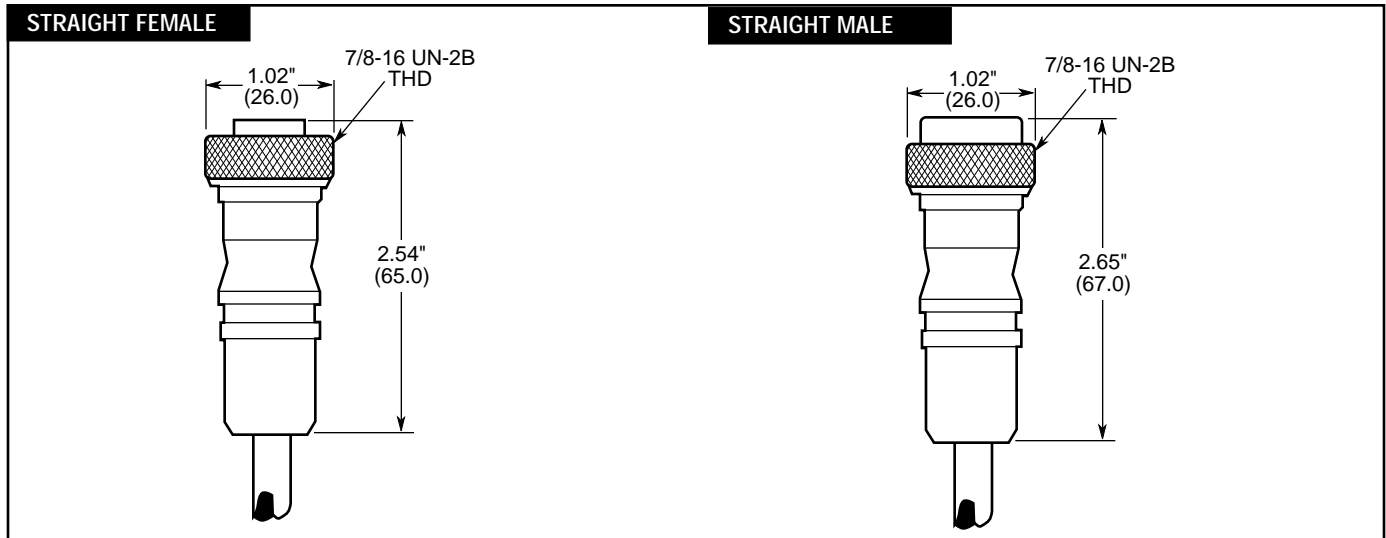
Cable Length	Model Number	Wire Size
DOUBLE-ENDED STRAIGHT EURO / 4-PIN MALE/FEMALE		
1'	PB978-30001	22AWG
3'	PB978-30003	22AWG
6'	PB978-30006	22AWG
9'	PB978-30009	22AWG
12'	PB978-30012	22AWG
DOUBLE-ENDED 90° EURO / 4-PIN STRAIGHT MALE		
1'	PB978-30101	22AWG
3'	PB978-30103	22AWG
6'	PB978-30106	22AWG
9'	PB978-30109	22AWG
12'	PB978-30112	22AWG
20'	PB978-30120	22AWG
DOUBLE-ENDED (2) 90° EURO / 4-PIN MALE/FEMALE		
1'	PB978-30201	22AWG
3'	PB978-30203	22AWG
6'	PB978-30206	22AWG
9'	PB978-30209	22AWG
12'	PB978-30212	22AWG
20'	PB978-30220	22AWG
DOUBLE-ENDED STRAIGHT MINI / 3-PIN MALE/FEMALE		
1'	PB978-30301	18AWG
3'	PB978-30303	18AWG
6'	PB978-30306	18AWG
9'	PB978-30309	18AWG
12'	PB978-30312	18AWG
20'	PB978-30320	18AWG

**Optional cable material, wire gauges and custom lengths available. Consult factory for additional information.*

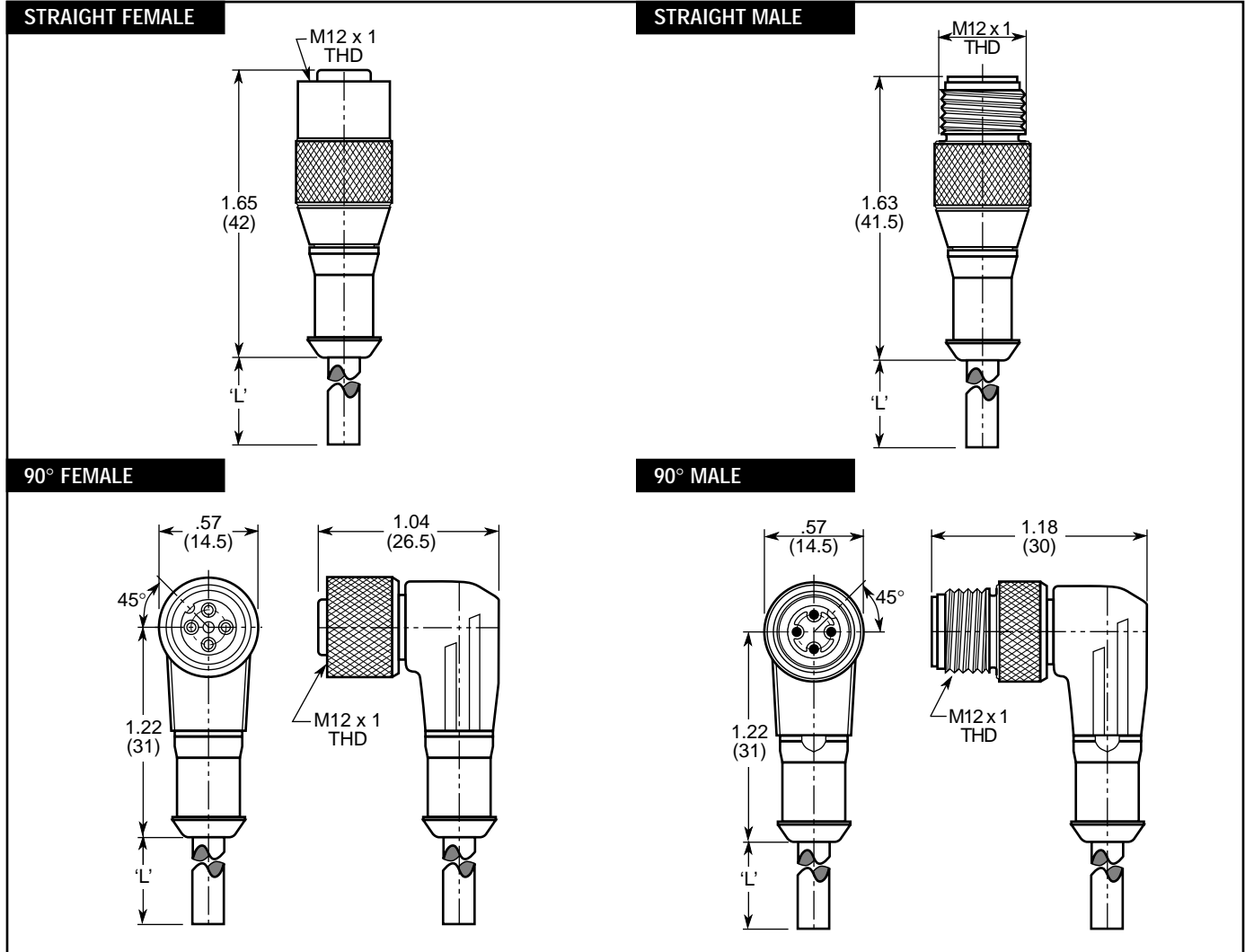
Connector Drawings (Female views shown)



Mini Connectors - Dimensional Drawings



Euro Connectors - Dimensional Drawings



Cables and cordsets are purchased to Namco specifications from multiple sources. As such, styles may vary slightly.



2013 West Meeting Street • Lancaster, SC 29720
1-803-286-8491 • FAX: 1-800-678-6263
www.namcocontrols.com

For technical assistance, call 1-800-NAMTECH