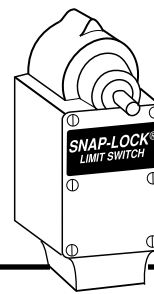


Double Pole
Mild Environment/
Navy Marine

Limit Switches

Sliding Contacts



Limit Switches

Construction

The aluminum housing with epoxy paint and high quality stainless steel shaft provides a high degree of corrosion resistance. Sealing against leakage is achieved through the use of high quality gaskets on machined surfaces and "O" ring protection, plus close tolerance between the shaft and bushing.

Durability

All internal components are of high grade stainless steel or copper alloy, chrome plated when required, to protect against bearing surface wear and to provide millions of operations.

Contacts

The EA730 switches are available with sliding contact arrangement 2 N.O.-2 N.C. Operation direction available in CW, CCW or CW/CCW.

Levers

A variety of corrosion resistant levers is available to meet specific actuating requirements.

EA730 Double Pole 2 N.O. - 2 N.C. / Sliding Contacts

Standard Mounting Model No.	Wide Mounting Model No.	Long Mounting Model No.	Dir. Of Operation	Angle A Trip Travel	Angle B Reset Travel	Angle C Recom. Travel	Angle D Total Travel	Angle E Min. Travel to Maintain	Angle F Overall Travel	Torque (inch lbs)	Contact Config.
STANDARD TRAVEL / CAM ACTION											
EA730-20000	EA730-50000	EA730-80000	CW	16°	14°	30°	90°	-	-	20	A
EA730-20001	EA730-50001	EA730-80001	CCW	16°	14°	30°	90°	-	-	20	B
EA730-20100	EA730-50100	EA730-80100	CW/CCW	16°	14°	30°	90°	-	-	20	C

Common Switch Characteristics

DOUBLE POLE, MILD ENVIRONMENT/NAVY MARINE, SLIDING CONTACTS	
NEMA Enclosure Type	1, 4, 6, 6P, 13
Housing Material	Aluminum
Ambient Temperature Range*	-20°C to +90°C
Shipping Weight	4 lbs. approx.
Lever Adjustment	7°30' Increments Thru 360°
Contacts	Sliding, Silver Alloy, Form Z
Special Switch Features	MIL-C-2212F Watertight (3 ft. for 60 min.) & submersible (15 ft. for 30 min.) per MIL-STD-108E Vibration requirements per MIL-STD-167B, type 1 High shock per MIL-S-901, grade A, class 1, type A

*Some high temperature (+20°C to 180°C) and low temperature (-40°C to +90°C) versions available. Contact factory.

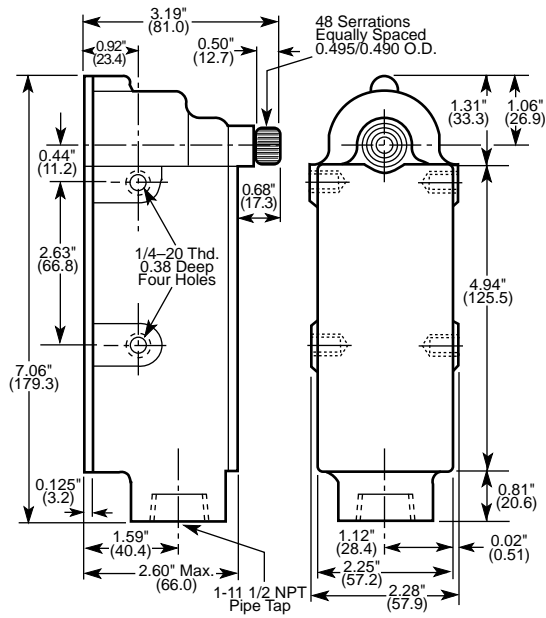
Continuous Current Rating - Amperes

VOLTAGE	AC	DC
125	10.0	2.5
250	7.5	.75
480	5.0	-
600	2.5	-

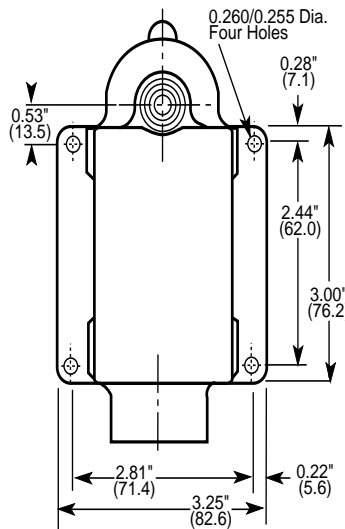
75-100% Power Factor

See Operating Levers Section

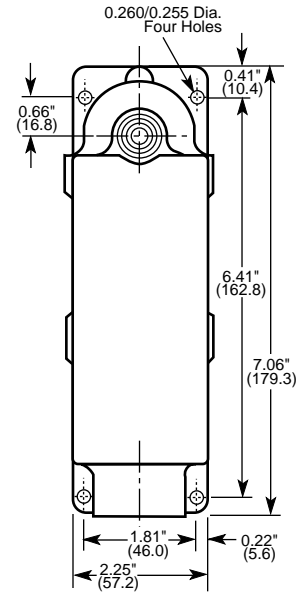
STANDARD MOUNTING PLATE



WIDE MOUNTING PLATE



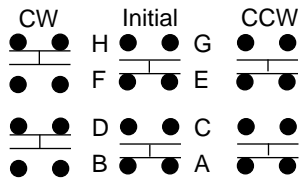
LONG MOUNTING PLATE



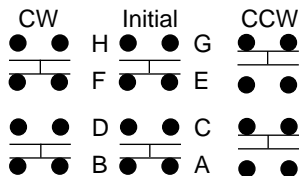
Limit Switches

Contact Configurations

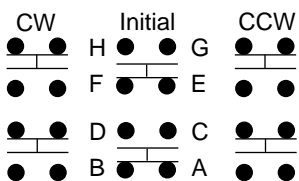
CIRCUIT A



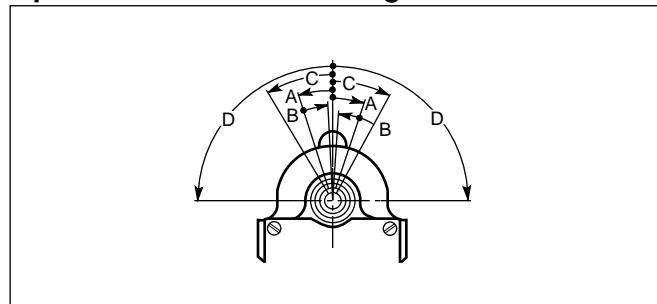
CIRCUIT B



CIRCUIT C



Operational Data Drawings



NAMCO

2013 West Meeting Street • Lancaster, SC 29720
 1-803-286-8491 • FAX: 1-800-678-6263
www.namcocontrols.com

For technical assistance, call 1-800-NAMTECH