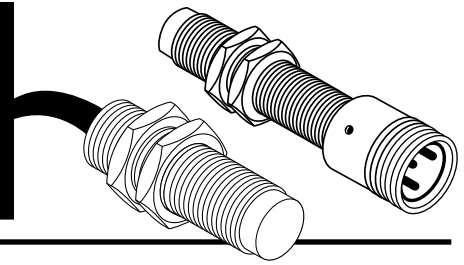


8mm

Inductive Tubular Threaded Barrel

DC



Proximity Sensors

1mm (Shielded) and 2mm (Unshielded) Sensing Ranges

Connector Type	Circuit Description	Housing Material	Housing Length	Shielded Model No.	Unshielded Model No.	Maximum Load Current	Leakage Current	Voltage Drop*	Maximum Switching Frequency		Short Circuit Protected
									Shielded	Unshielded	
DC 10-30V Metal											
4-pin Euro	3W, PNP, NO	Metal	53mm	ET311-10151	ET311-11151	200mA	<10µA	<2.0 VDC	4KHz	2KHz	yes
6.6' Cable	3W, NPN, NO	Metal	50mm	ET110-10110	ET110-11110	200mA	<100µA	<2.0 VDC	4KHz	2KHz	yes
6.6' Cable	3W, PNP, NO	Metal	50mm	ET111-10110	ET111-11110	200mA	<10µA	<2.5 VDC	4KHz	2KHz	yes
NAMUR 5-25 VDC											
6.6' Cable	Analog	Metal	30mm	ET112-10310	—	N/A	—	—	1KHz	—	N/A

* Across conducting sensor

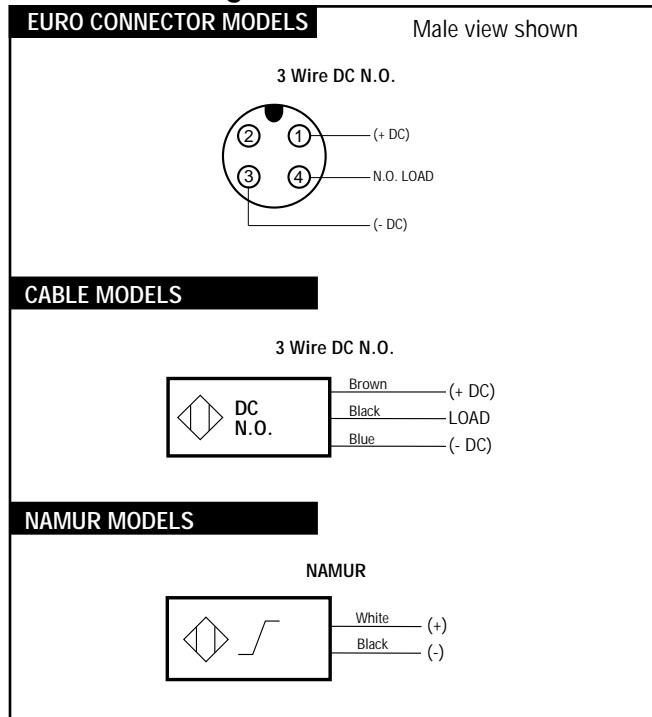
▶ Consult factory for normally closed model availability.



Common Sensor Characteristics

8mm DIAMETER DC SENSORS	
Shielded Sensing Range ($\pm 10\%$)	1mm
Unshielded Sensing Range ($\pm 10\%$)	2mm
Standard Target	8x8x1mm (mild steel)
Repeatability	$\pm 2\%$
Hysteresis	3-8% (typ.); 15% (max.)
Temperature Drift (max.)	$\pm 15\%$
Ambient Temperature Range	-13°F to +158°F
Reverse Polarity Protected	yes
Current Consumption	<10mA
NEMA Enclosure Type	1, 3, 4, 6, 13
LED Indicator	yellow = target
Metal Housings	Chrome Plated Brass
Plastic Housings	N/A
Cable Type	PVC
Shipping Weight	Connector model: 3 oz. Cable model: 8 oz.

Circuit Drawings

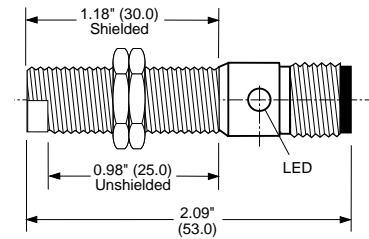


Dimensional Drawings

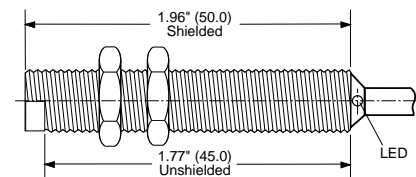
8mm-DC

EURO CONNECTOR MODELS

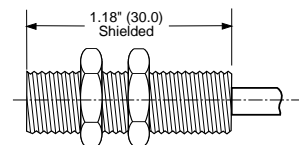
Body threads = M8x1



CABLE MODEL



CABLE MODELS-NAMUR



NAMCO

2013 West Meeting Street • Lancaster, SC 29720
1-803-286-8491 • FAX: 1-800-678-6263
www.namcocontrols.com

For technical assistance, call 1-800-NAMTECH