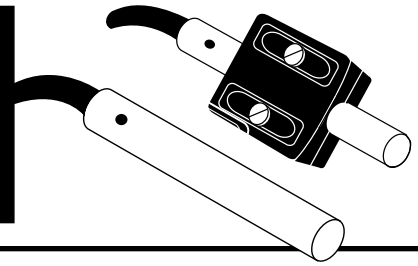


6.5 mm  
20 mm  
34 mm

# Inductive Tubular Smooth Barrel

DC  
AC



Proximity Sensors

Connector Type	Circuit Description	Housing Material	Housing Length	Shielded Model No.	Unshielded Model No.	Sensing Range	Maximum Load Current	Maximum Leakage Current	Voltage Drop*	Maximum Switching Frequency	Short Circuit Protected
<b>6.5mm DC 10-30V Metal</b>											
6.6' Cable	3W, NPN, NO	Metal	50mm	ET110-71001	—	1mm	200mA	<100µA	<2.0	4KHz	yes
6.6' Cable	3W, PNP, NO	Metal	50mm	ET111-71003	—	1mm	200mA	<100µA	<2.0	4KHz	yes
<b>6.5mm NAMUR 5-25 VDC</b>											
6.6' Cable	2W, Analog	Metal	30mm	ET112-75403	—	1mm	N/A	—	—	1KHz	N/A
<b>20mm DC 10-30V Plastic</b>											
6.6' Cable	3W, NPN, NO	Plastic	77mm	—	ET210-73110	10mm	400mA	<10µA	<2.5	200Hz	yes
6.6' Cable	3W, PNP, NO	Plastic	77mm	—	ET211-73110	10mm	400mA	<10µA	<2.5	200Hz	yes
<b>20mm AC 20-250V Plastic</b>											
6.6' Cable	2W, AC, NO	Plastic	77mm	—	ET220-73410	10mm	400mA	<1.5mA @220 VAC	<8 VAC	25Hz	no
<b>34mm DC 10-30V Plastic</b>											
6.6' Cable	3W, PNP, NO	Plastic	80mm	—	ET211-83110	20mm	400mA	<10µA	<2.5 VDC	100Hz	yes
<b>34mm AC 20-250V Plastic</b>											
6.6' Cable	2W, AC, NO	Plastic	80mm	—	ET220-83410	20mm	400mA	<1.5mA @220 VAC	<8 VAC	25Hz	no

\* Across conducting sensor

► Consult factory for normally closed model availability.

Replacement Mounting Brackets	
<b>6.5mm</b>	ET018-20000
<b>20mm</b>	ET018-20010
<b>34mm</b>	ET018-20020



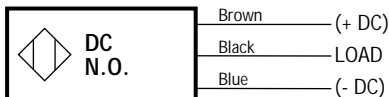
## Common Sensor Characteristics

Sensor Diameter	6.5mm	20mm	34mm
Sensing Range (±10%)	1mm	10mm	20mm
Standard Target (mm) (mild steel)	6.5x6.5x1	30x30x1	60x60x1
Temperature Drift (max.)	±10%	±15%	±15%
Repeatability	± 2%		
Hysteresis	3-8% (typical); 15% (max.)		
Ambient Temperature Range	-13°F to +158°F		
Reverse Polarity Protected	yes		
Current Consumption	<10mA		
NEMA Enclosure Type	1,3,4,6,13	1,3,4,4x,6,13	
LED Indicator	red = target		
Metal Housings	Stainless	N/A	
Plastic Housings	N/A	Ultradur®	
Cable Type	PVC		
Shipping Weight	6 oz.	8 oz.	10 oz.

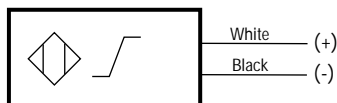
## Circuit Drawings

### CABLE MODELS

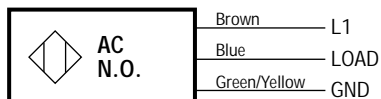
#### 3 Wire DC N.O.



#### NAMUR

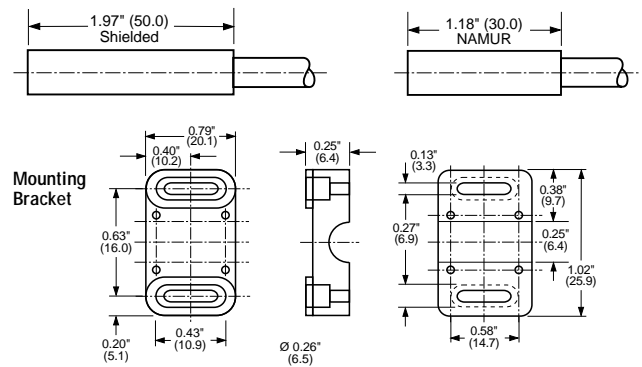


#### 2 Wire AC N.O.

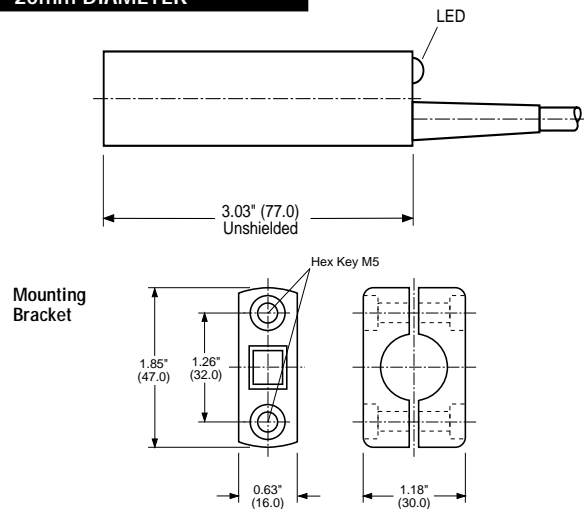


## Dimensional Drawings 6.5, 20, 34mm

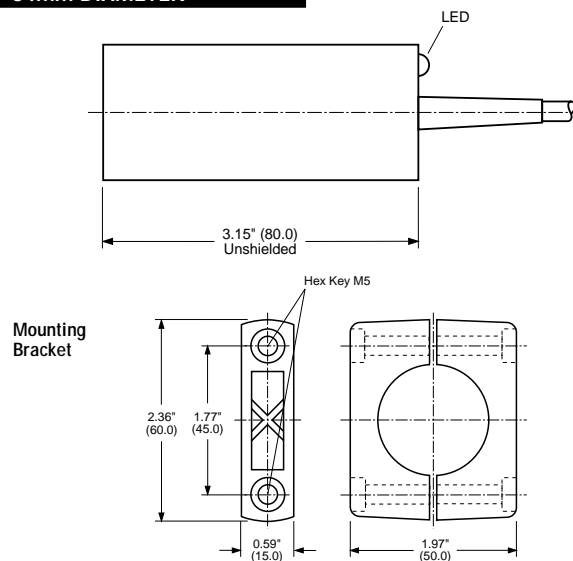
### 6.5mm DIAMETER



### 20mm DIAMETER



### 34mm DIAMETER



Mounting Brackets are included with Smooth Sensors.

# NAMCO

2013 West Meeting Street • Lancaster, SC 29720  
 1-803-286-8491 • FAX: 1-800-678-6263  
[www.namcocontrols.com](http://www.namcocontrols.com)

For technical assistance, call 1-800-NAMTECH