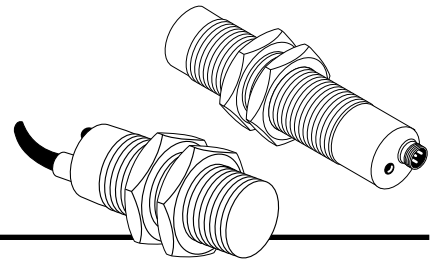


# 30mm

# Inductive Tubular Threaded Barrel

# DC



Proximity Sensors

## 10mm (Shielded) and 15mm (Unshielded) Sensing Ranges

Connector Type	Circuit Description	Housing Material	Housing Length	Shielded Model No.	Unshielded Model No.	Maximum Load Current	Leakage Current	Voltage Drop*	Maximum Switching Frequency		Short Circuit Protected
									Shielded	Unshielded	
<b>DC 10-30V Metal</b>											
4-pin Euro	3W, NPN, NO	Metal	73mm	ET310-62151	ET310-63151	400mA	<10µA	<2.5 VDC	200Hz	100Hz	yes
4-pin Euro	3W, PNP, NO	Metal	73mm	ET311-62151	ET311-63151	400mA	<10µA	<2.5 VDC	200Hz	100Hz	yes
4-pin Mini	3W, NPN, NO	Metal	78mm	ET110-42100	ET110-43100	400mA	<10µA	<2.5 VDC	200Hz	100Hz	yes
4-pin Mini	3W, PNP, NO	Metal	78mm	ET111-42100	ET111-43100	400mA	<10µA	<2.5 VDC	200Hz	100Hz	yes
6.6' Cable	3W, NPN, NO	Metal	50mm	ET310-62110	ET310-63110	400mA	<10µA	<2.5 VDC	200Hz	100Hz	yes
6.6' Cable	3W, NPN, NO	Metal	80mm	ET110-42110	ET110-43110	400mA	<10µA	<2.5 VDC	200Hz	100Hz	yes
6.6' Cable	3W, PNP, NO	Metal	50mm	ET311-62110	ET311-63110	400mA	<10µA	<2.5 VDC	200Hz	100Hz	yes
6.6' Cable	3W, PNP, NO	Metal	80mm	ET111-42110	ET111-43110	400mA	<10µA	<2.5 VDC	200Hz	100Hz	yes
<b>DC 10-30V Plastic</b>											
6.6' Cable	3W, NPN, NO	Plastic	50mm	ET310-72110	ET310-73110	400mA	<10µA	<2.5 VDC	200Hz	100Hz	yes
6.6' Cable	3W, NPN, NO	Plastic	80mm	ET210-42110	ET210-43110	400mA	<10µA	<2.5 VDC	200Hz	100Hz	yes
6.6' Cable	3W, PNP, NO	Plastic	50mm	ET311-72110	ET311-73110	400mA	<10µA	<2.5 VDC	200Hz	100Hz	yes
6.6' Cable	3W, PNP, NO	Plastic	80mm	—	ET211-43110	400mA	<10µA	<2.5 VDC	200Hz	100Hz	yes
<b>NAMUR 5-25 VDC</b>											
6.6' Cable	Analog	Metal	40mm (Sh) 42mm (UnSh)	ET112-40310	ET112-41310	N/A	—	—	300Hz	100Hz	N/A
6.6' Cable	Analog	Plastic	40mm	ET212-40310	ET212-41310	N/A	—	—	300Hz	100Hz	N/A

\* Across conducting sensor

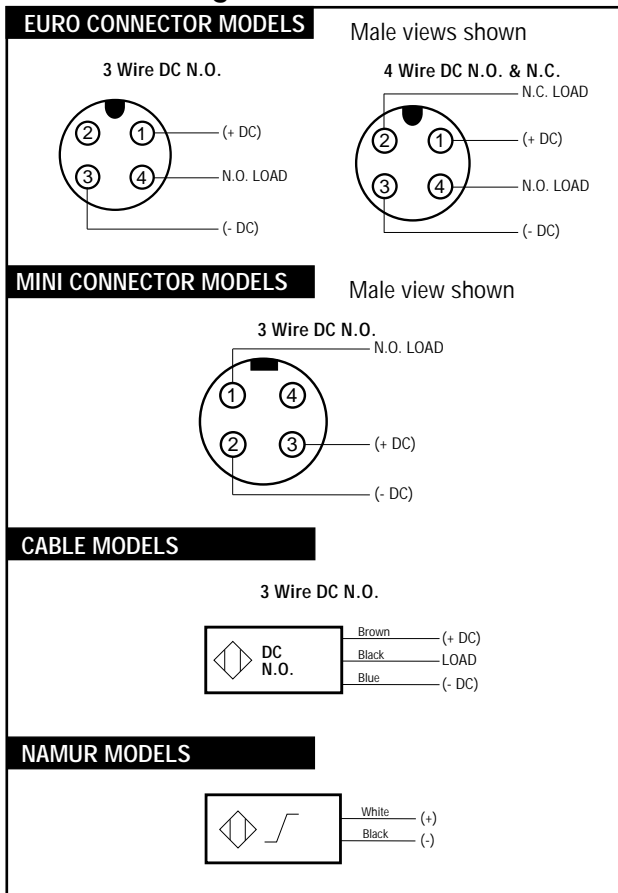
► Consult factory for normally closed model availability.



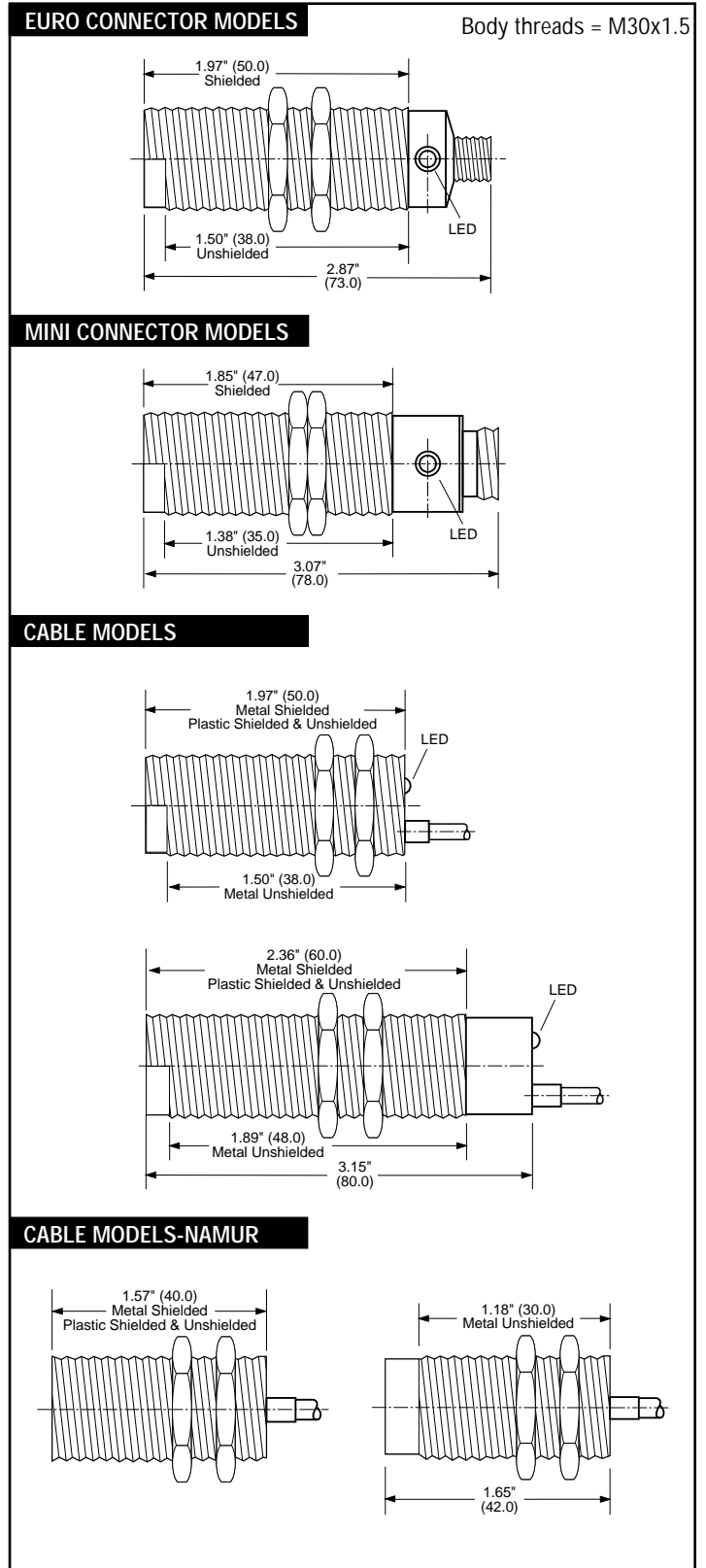
## Common Sensor Characteristics

30mm DIAMETER DC SENSORS	
Shielded Sensing Range ( $\pm 10\%$ )	10mm
Unshielded Sensing Range ( $\pm 10\%$ )	15mm
Standard Target (mm) (mild steel)	30x30x1 (Shielded) 45x45x1 (Unshielded)
Repeatability	$\pm 2\%$
Hysteresis	3-8% (typ.); 15% (max.)
Range Drift over Temperature	$\pm 15\%$
Operating Temperature Range	-13°F to +158°F
Reverse Polarity Protected	yes
Current Consumption	<1.5mA
NEMA Enclosure Type	
Metal	1, 3, 4, 6, 13
Plastic	1, 3, 4, 4x, 6, 13
LED Indicator	red = target
Metal Housings	Chrome Plated Brass
Plastic Housings	Ultradur®
Cable Type	PVC
Shipping Weight	Connector model: 5 oz. Cable model: 10 oz.

## Circuit Drawings



## Dimensional Drawings



# NAMCO

2013 West Meeting Street • Lancaster, SC 29720  
1-803-286-8491 • FAX: 1-800-678-6263  
www.namcocontrols.com

For technical assistance, call 1-800-NAMTECH