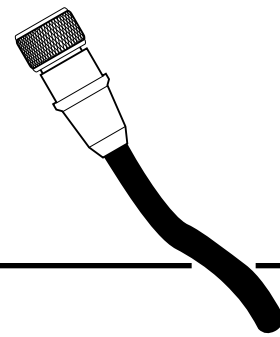


Single Ended Female

Cable Cordsets

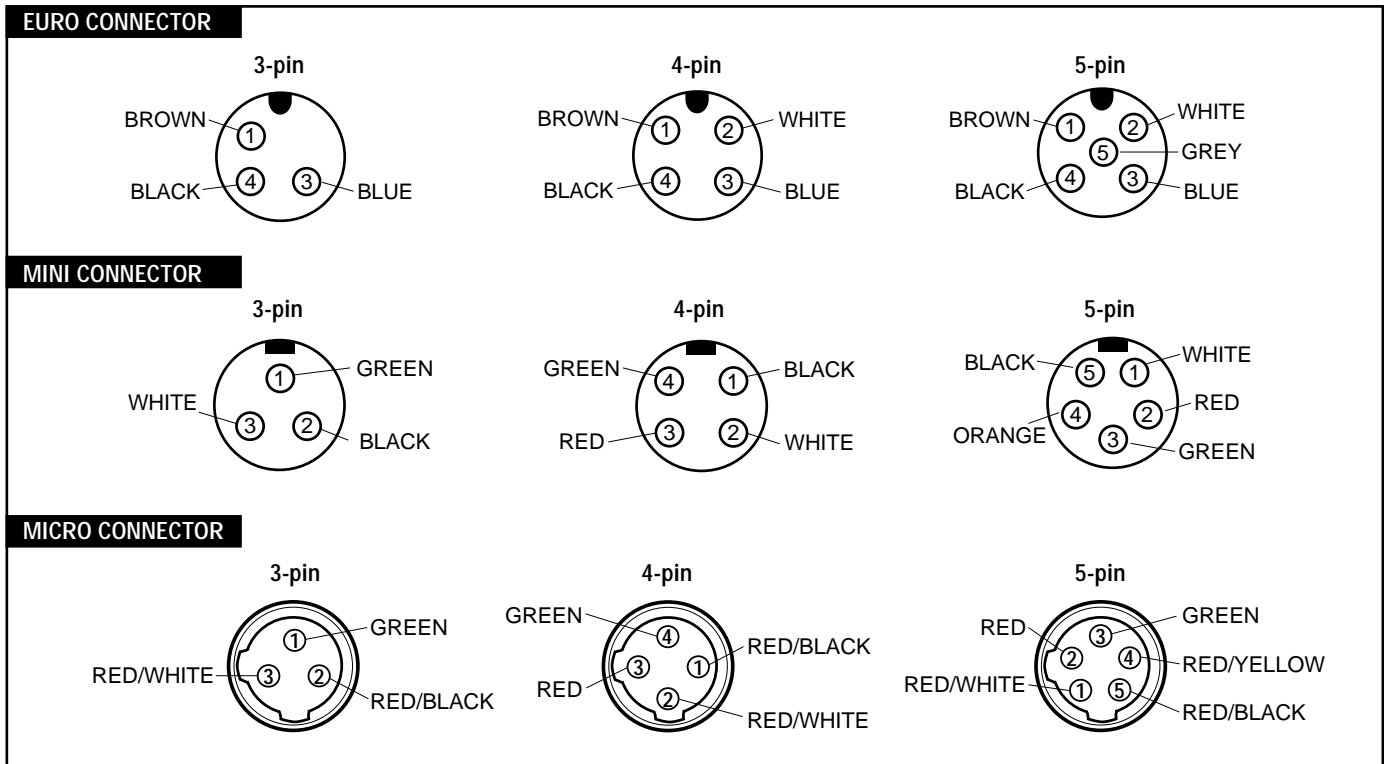


Cable Length	Pin Configuration	Euro Connector		Mini Connector		Micro Connector	
		Model No.	Wire Size	Model No.	Wire Size	Model No.	Wire Size
STRAIGHT CONNECTOR							
6 ft.	3-pin	EE978-52301	22 AWG	EE978-50301	16 AWG	EE978-51301	18 AWG
6 ft.	4-pin	EE978-52401	22 AWG	EE978-50401	16 AWG	EE978-51401	18 AWG
6 ft.	5-pin	EE978-52501	22 AWG	EE978-50501	16 AWG	EE978-51501	18 AWG
12 ft.	3-pin	EE978-52302	22 AWG	EE978-50302	16 AWG	EE978-51302	18 AWG
12 ft.	4-pin	EE978-52402	22 AWG	EE978-50402	16 AWG	EE978-51402	18 AWG
12 ft.	5-pin	EE978-52502	22 AWG	EE978-50502	16 AWG	EE978-51502	18 AWG
90° CONNECTOR							
6 ft.	3-pin	EE978-52311	22 AWG	EE978-50311	16 AWG	EE978-51311	18 AWG
6 ft.	4-pin	EE978-52411	22 AWG	EE978-50411	16 AWG	EE978-51411	18 AWG
6 ft.	5-pin	EE978-52511	22 AWG	EE978-50511	16 AWG	EE978-51511	18 AWG
12 ft.	3-pin	EE978-52312	22 AWG	EE978-50312	16 AWG	EE978-51312	18 AWG
12 ft.	4-pin	EE978-52412	22 AWG	EE978-50412	16 AWG	EE978-51412	18 AWG
12 ft.	5-pin	EE978-52512	22 AWG	EE978-50512	16 AWG	EE978-51512	18 AWG

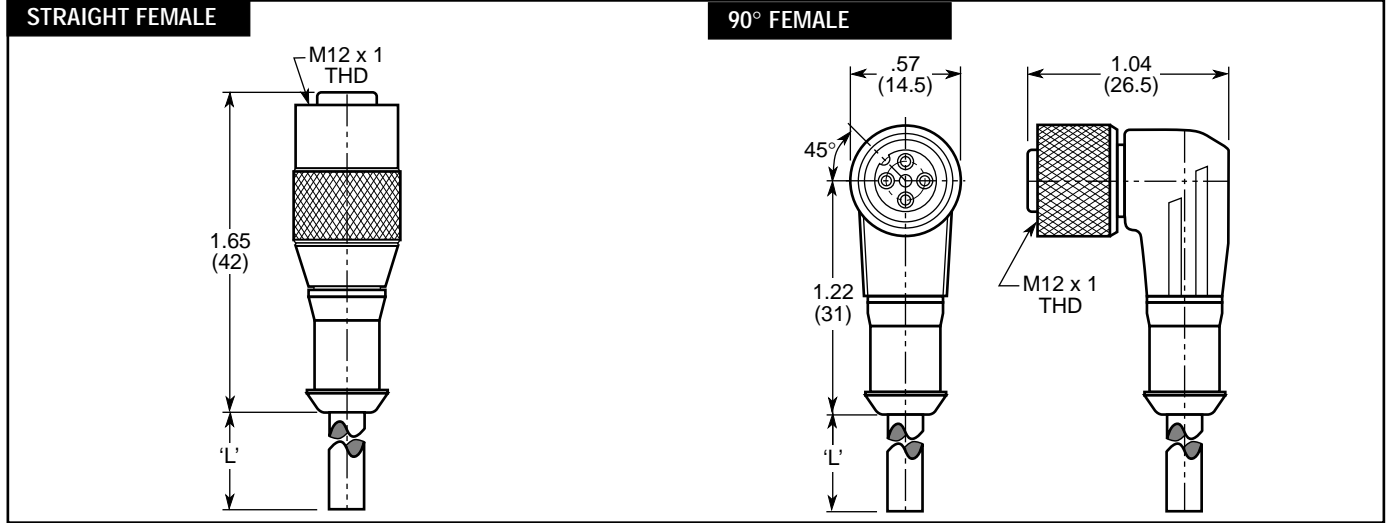
All cables are PVC Jacketed, STO/STOW

*Optional cable material and wire gauges available.
Consult factory for additional information.

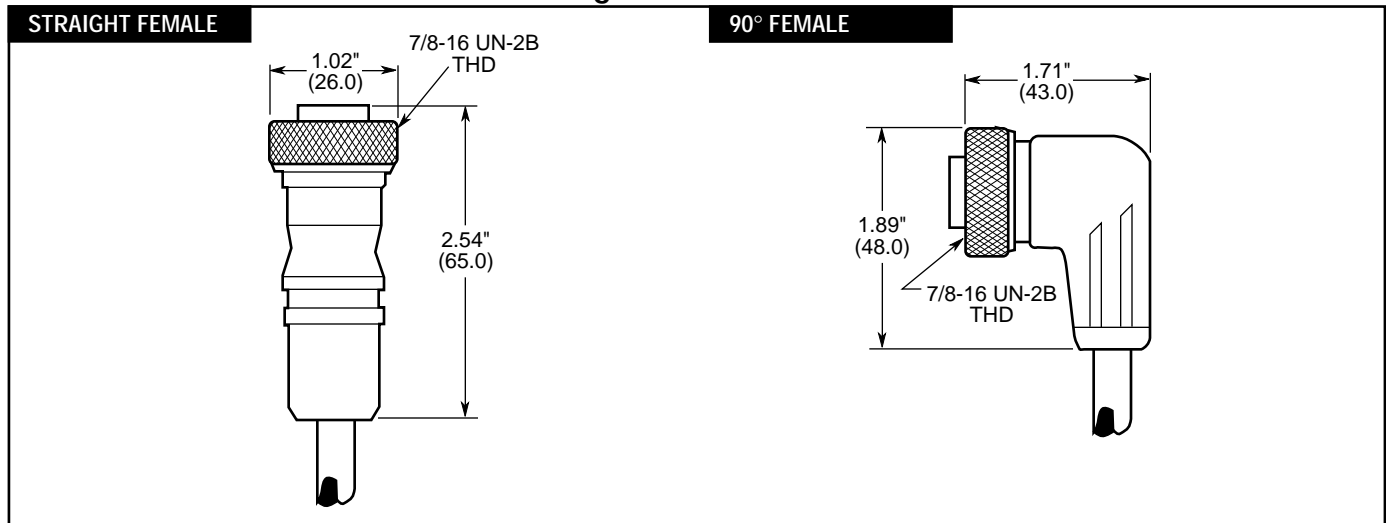
Connector Drawings (Female views shown)



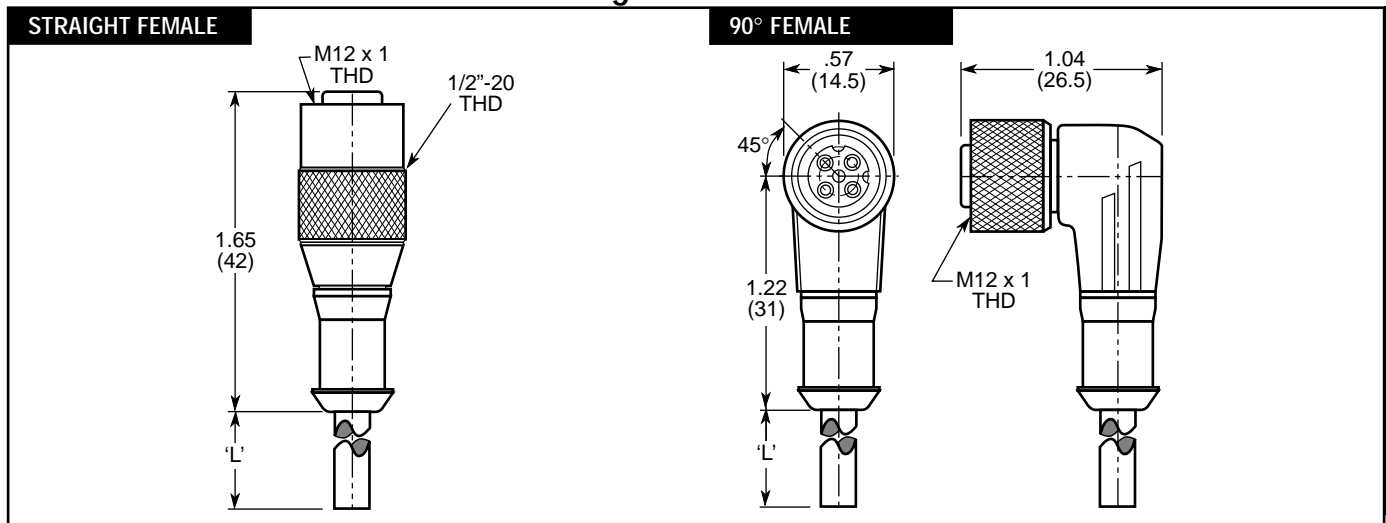
Euro Connectors - Dimensional Drawings



Mini Connectors - Dimensional Drawings



Micro Connectors - Dimensional Drawings



2013 West Meeting Street • Lancaster, SC 29720
 1-803-286-8491 • FAX: 1-800-678-6263
www.namcocontrols.com

For technical assistance, call 1-800-NAMTECH